

ECO HYBRID



How it works

Your reliable
Energy Solution
Partner

SNA 3-6k

With thousands of hybrid inverters & AC units installed around the world, Luxpower has stepped even further to bring power to every home, with or without grid power.

ECO Hybrid SNA 3-6k is now available for homes without grid. Inquire your local distributor to reorganize your power at home, no more blackouts.



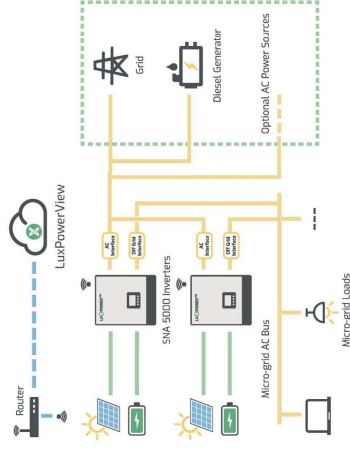
/ System Connection

Off-grid system is a good solution for the area where the grid power is unstable or in scarcity.

Advantage of solar power:

- Easy to install
- Efficient
- Cost-effective
- Environment-friendly

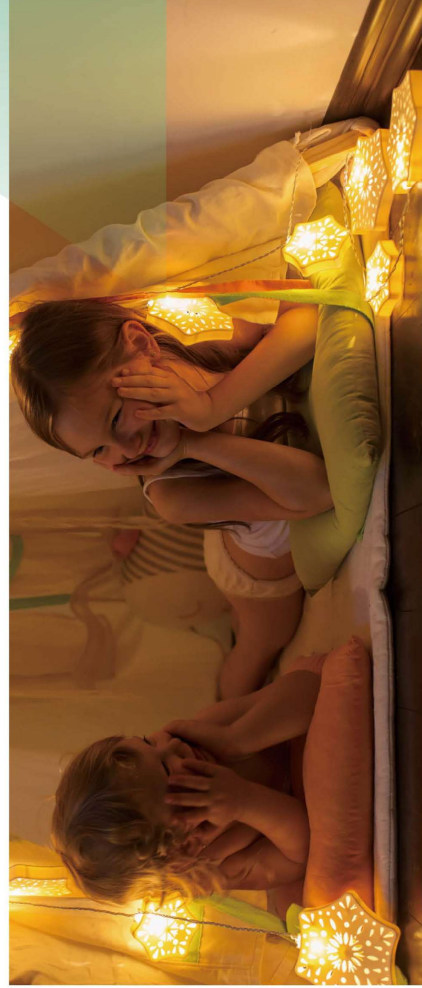
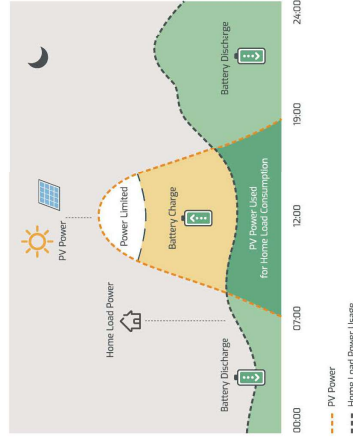
Can partially or entirely replace diesel generator. Flexible from 3 to 50kW.



/ Working Mode

SNA 3-6kW series off-grid inverters can support the system to work as back-up power or a replacement for diesel generator. Since the inverter support paralleling function, the capacity of the system can range from 3kW to 50kW.

The inverter supports several working modes, including: Pure off-grid working mode, working as traditional off-grid inverters, can prioritize between using AC power or solar power. Hybrid working mode: working as a hybrid, supporting solar and utility jointly taking the load, can choose between self-consumption mode or charge priority mode.



SNA 3-6k Single phase

Reclaim Your Power

- Intelligent off-grid & hybrid modes
 - Off-grid seamless switching
 - Wide PV input voltage range
 - Great battery compatibility
 - Single phase/Unbalanced 3-Phase
 - Support up to 16pcs in parallel
- Host inverter automatically generated to manage the entire system
- Separate generator port available



SpecifiCation

	SNA 3000W	SNA 4000W	SNA 5000W	SNA 6000W
INPUT (PV/DC)	6000 (8000/3000)	8000 (4000/4000)	8000 (4000/4000)	8000 (4000/4000)
Max. PV array power(W)	320	320	320	320
Rated PV input voltage(V)	100-480	100-480	100-480	100-480
Number of independent MPPT inputs	2	2	2	2
PV input voltage range(V)	120-385	120-385	120-385	120-385
Start-up voltage(V)	100	100	100	100
Max. PV input current per MPPT(A)	17/7	17/7	17/7	17/7
Max. PV short-circuit current input per MPPT(A)	25/25	25/25	25/25	25/25
Battery				
Compatible battery type	Lithium-Ion/Lead-Acid			
Rated battery voltage(V)	48	48	48	48
Battery voltage range(V)	38.4-60	38.4-60	38.4-60	38.4-60
Max. charging/discharging current(A)	70	90	110	140
Max. charging/discharging power(W)	3000	4000	5000	6000
Recommend capacity of battery per inverter	>100AH	>200AH	>200AH	>200AH
Force wake up battery from PV function	YES	YES	YES	YES
Force wake up battery from Grid function	YES	YES	YES	YES
Grid				
Rated AC voltage(V)	230	230	230	230
Rated AC frequency(Hz)	50/60	50/60	50/60	50/60
Rated AC output current(A)	13.5	17.5	22	26.5
Rated AC output power(W)	3000	4000	5000	6000
Max. AC input current(A)	26	35	35	39.5
Max. AC input power(W)	6000	8000	8000	9000
PF	0.99	0.99	0.99	0.99
THDI	<5%	<5%	<5%	<5%
Rated AC current of BYPASS relays(A)	40	40	40	40
UPS				
Rated output power(W)	3000	4000	5000	6000
Rated output voltage(V)	13.5	17.5	22	26.5
Rated output current(A)	50/60	50/60	50/60	50/60
Surge power, duration	2Pn, <25	2Pn, <25	2Pn, <25	2Pn, <25
Switching time	<15ms@Single/ <30ms@Parallel	<15ms@Single/ <30ms@Parallel	<15ms@Single/ <30ms@Parallel	<15ms@Single/ <30ms@Parallel
Wave form	Sine wave	Sine wave	Sine wave	Sine wave
THDV	3%	3%	3%	3%
Efficiency				
Max. MPPT efficiency	0.99	0.99	0.99	0.99
Max. efficiency	0.93	0.93	0.93	0.93
EU efficiency	/	/	/	/
Max. charging efficiency	0.93	0.93	0.93	0.93
Max. discharging efficiency	0.93	0.93	0.93	0.93
Protection				
Over current/voltage protection	YES	YES	YES	YES
AC Short-circuit current protection	YES	YES	YES	YES
Grid monitoring	YES	YES	YES	YES
AC Surge protection Type III	YES	YES	YES	YES
Battery reverse polarity protection	YES	YES	YES	YES
General				
Dimensions(W*H*D)	330*505*1135mm/13*19.9*5.3inch			
Weight	14.5kg/32lbs			
Ingress protection rating	IP20			
Operating environment temperature range	0-50°C			
Storage temperature range	-15-60°C			
Relative humidity	5%-95%			
Display & Communication interface	LCD+LED, RS485/Wi-Fi/CAN			
Warranty	2years			
Cooling method	FAN			
Topology	Transformer-less			
Altitude	<2000m			
Noise emission(typical)	<50dB			
Standards & Certification	IEC 62109-1, IEC 62109-2, IEC 61000			